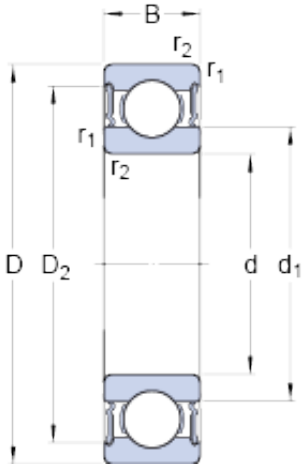




# Timken BEARING CORP.of CANADA LTD.



50 mm x 80 mm x 16 mm SKF 6010-2RS1 deep groove ball bearings

Bearing No. 6010-2RS1

6010-2RS1 Bearing 2D drawings and 3D CAD models

|   |                          |
|---|--------------------------|
| Size                                      | 80x50x16 mm              |
| Bore Diameter                             | 80 mm                    |
| Outer Diameter                            | 50 mm                    |
| Width                                     | 16 mm                    |
| d   | 50 mm                    |
| D   | 80 mm                    |
| B   | 16 mm                    |
| d <sub>1</sub>                            | 59.75 mm                 |
| D <sub>2</sub>                            | 72.8 mm                  |
| r <sub>1,2</sub> - min.                   | 1 mm                     |
| d <sub>a</sub> - min.                     | 54.6 mm                  |
| d <sub>a</sub> - max.                     | 59.7 mm                  |
| D <sub>a</sub> - max.                     | 75.4 mm                  |
| r <sub>a</sub> - max.                     | 1 mm                     |
| Basic dynamic load rating - C             | 22.9 kN                  |
| Basic static load rating - C <sub>0</sub> | 15.6 kN                  |
| Fatigue load limit - P <sub>u</sub>       | 0.71 kN                  |
| Limiting speed                            | 5000 r/min               |
| Calculation factor - k <sub>r</sub>       | 0.025                    |
| Calculation factor - f <sub>0</sub>       | 14.7                     |
| Category                                  | Single Row Ball Bearings |
| Inventory                                 | 0.0                      |
| Manufacturer Name                         | SKF                      |
| Minimum Buy Quantity                      | N/A                      |



## Timken BEARING CORP.of CANADA LTD.

|                                 |   |
|---------------------------------|---|
| Weight / Kilogram               | 0.281   |
| EAN                             | 7316570522204   |
| Product Group                   | B00308  |
| Enclosure                       | 2 Seals   |
| Precision Class                 | ABEC 1   ISO P0   |
| Maximum Capacity / Filling Slot | No  |
| Rolling Element                 | Ball Bearing  |
| Snap Ring                       | No  |
| Internal Special Features       | No  |
| Cage Material                   | Steel   |
| Enclosure Type                  | Contact Seal  |
| Internal Clearance              | C0-Medium   |
| Inch - Metric                   | Metric  |
| Long Description                | 50MM Bore; 80MM Outside Diameter; 16MM Outer Race Diameter; 2 Seals; Ball Bearing; ABEC 1   ISO P0; No Filling Slot; No Snap Ring; No Internal Special Features |
| Category                        | Single Row Ball Bearing   |
| UNSPSC                          | 31171504  |
| Harmonized Tariff Code          | 8482.10.50.68   |
| Noun                            | Bearing   |
| Keyword String                  | Ball  |
| Manufacturer URL                | <a href="http://www.skf.com">http://www.skf.com</a>   |
| Manufacturer Item Number        | 6010-2RS1   |
| Weight / LBS                    | 0.62  |
| Outside Diameter                | 3.15 Inch   80 Millimeter   |
| Outer Race Width                | 0.63 Inch   16 Millimeter   |
| Bore                            | 1.969 Inch   50 Millimeter  |
| bore diameter:                  | 50 mm   |
| static load capacity:           | 15.6 kN   |
|                                 |   |



## Timken BEARING CORP.of CANADA LTD.

|                                |                          |
|--------------------------------|--------------------------|
| outside diameter:              | 80 mm                    |
| precision rating:              | Not Rated                |
| overall width:                 | 16 mm                    |
| finish/coating:                | Uncoated                 |
| bore type:                     | Round                    |
| cage material:                 | Steel                    |
| closure type:                  | Double Sealed            |
| outer ring width:              | 16 mm                    |
| row type & fill slot:          | Single Row Non-Fill Slot |
| fillet radius:                 | 1 mm                     |
| internal clearance:            | C0                       |
| maximum rpm:                   | 5000 RPM                 |
| operating temperature range:   | -40 to +210 ° F          |
| series:                        | 60                       |
| dynamic load capacity:         | 22.9 kN                  |
| $d_1$                          | 59.75 mm                 |
| $r_{1,2}$ min.                 | 1 mm                     |
| $d_a$ min.                     | 54.6 mm                  |
| $d_a$ max.                     | 59.7 mm                  |
| $D_a$ max.                     | 75.4 mm                  |
| $r_a$ max.                     | 1 mm                     |
| Basic dynamic load rating C    | 22.9 kN                  |
| Basic static load rating $C_0$ | 15.6 kN                  |
| Fatigue load limit $P_u$       | 0.71 kN                  |
| Calculation factor $k_r$       | 0.025                    |
| Calculation factor $f_0$       | 14.7                     |
| Mass bearing                   | 0.27 kg                  |