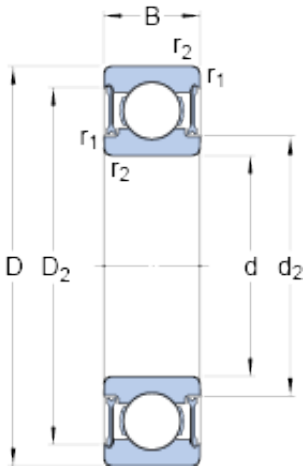




Timken BEARING CORP.of CANADA LTD.



9.525 mm x 22.225 mm x 7.142 mm SKF D/W
R6-2RZ deep groove ball bearings

Bearing No. D/W R6-2RZ

D/W R6-2RZ Bearing 2D drawings and 3D CAD models

Size	22.225x9.525x7.142 mm
Bore Diameter	22,225 mm
Outer Diameter	9,525 mm
Width	7,142 mm
d	9.525 mm
D	22.225 mm
B	7.142 mm
d ₂	11.9 mm
D ₂	19.9 mm
r _{1,2} - min.	0.4 mm
d _a - min.	11.8 mm
D _a - max.	20 mm
r _a - max.	0.4 mm
Basic dynamic load rating - C	2.5 kN
Basic static load rating - C ₀	1.1 kN
Fatigue load limit - P _u	0.048 kN
Reference speed	70000 r/min
Limiting speed	36000 r/min
Calculation factor - k _r	0.025
Calculation factor - f ₀	10.2
d ₂	11.9 mm
D ₂	19.9 mm
r _{1,2} min.	0.4 mm
d _a min.	12.1 mm



Timken BEARING CORP.of CANADA LTD.

d_a max.	12.7 mm
D_a max.	20 mm
r_a max.	0.4 mm
Basic dynamic load rating C	2.47 kN
Basic static load rating C_0	1.12 kN
Fatigue load limit P_u	0.048 kN
Calculation factor k_r	0.025
Calculation factor f_0	10.2
Mass bearing	0.011 kg